



TASK **STANDARDS** ➔
TEMPORARY CONSTRUCTION SIGNAGE
VOLUME 5.0 PARKING
PROJECT N° FC-7744

 Hartsfield-Jackson
Atlanta International Airport®

Prepared by: **ATLNEXT** |  VALANCOURT
INTERNATIONAL, LLC

1.0

TEMPORARY CONSTRUCTION SIGNAGE
GRAPHIC STANDARDS

VOLUME **5.0** PARKING

1.1 Typography
1.2 Terminology / Symbology
1.3 Color Standards



1.0 GRAPHIC STANDARDS

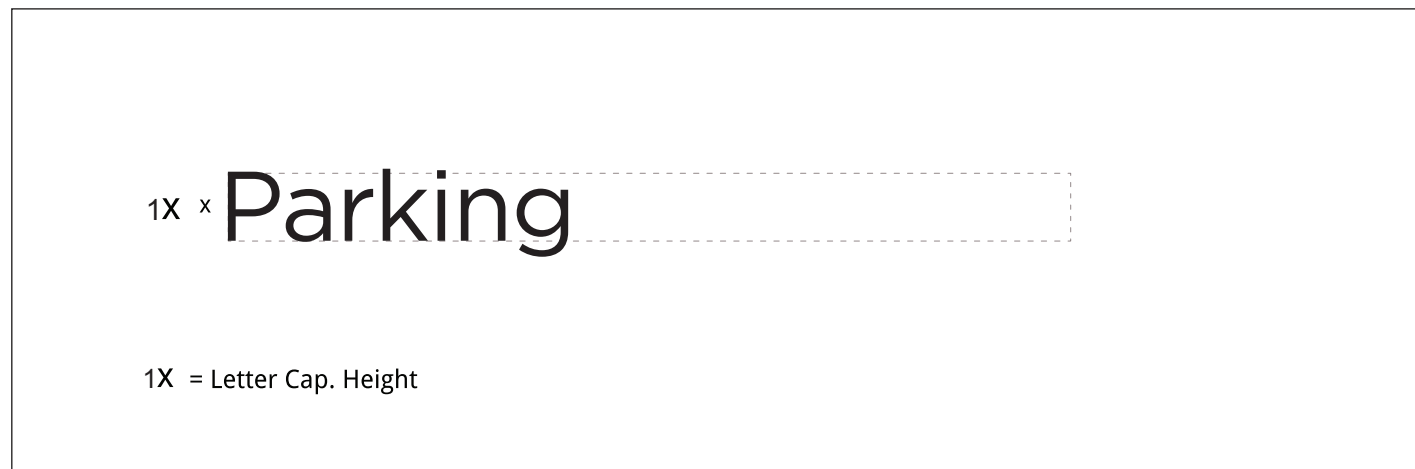
- 1.1 Typography 1-01
 - Standard Font 1-01
 - Letter Spacing 1-01
 - Line Spacing 1-01
 - Arrow / Symbols / Message Spacing 1-01

- 1.2 Terminology / Symbology
 - Principal Facilities 1-02
 - Primary Functions 1-02
 - Secondary Functions 1-02
 - Building Circulation 1-02
 - Services 1-02

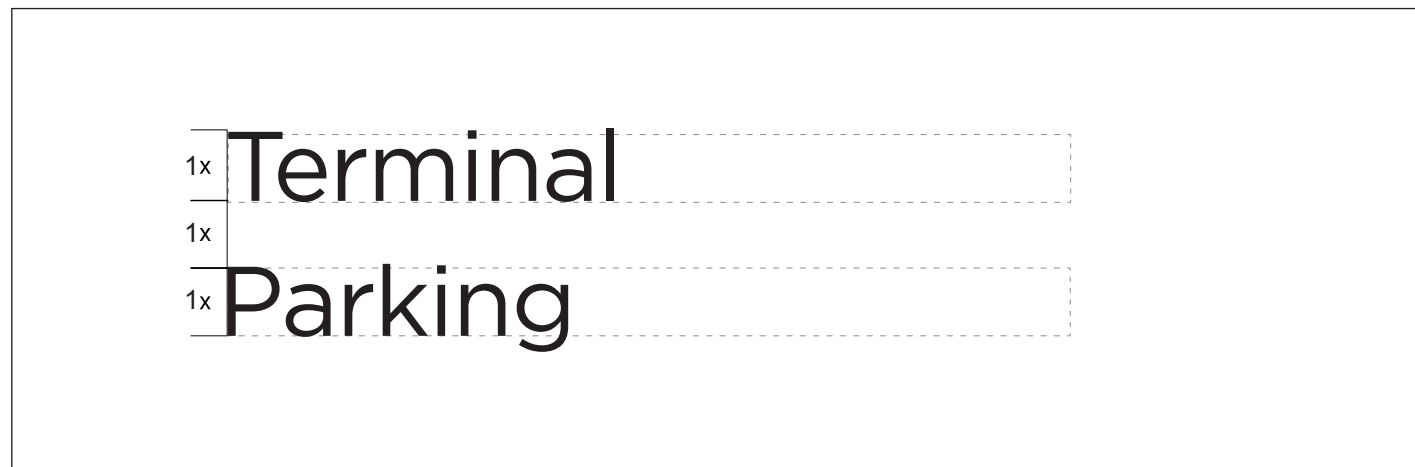
- 1.3 Color Standards
 - Primary - Message Panel (Symbology, Arrow Panels) 1-03
 - Secondary (Graphics Elements) 1-03

A B C D E F G H I J K L M N O P Q R S T U V W X Y Z
a b c d e f g h i j k l m n o p q r s t u v w x y z
0 1 2 3 4 5 6 7 8 9 @ # \$ % ^ & * () : ;

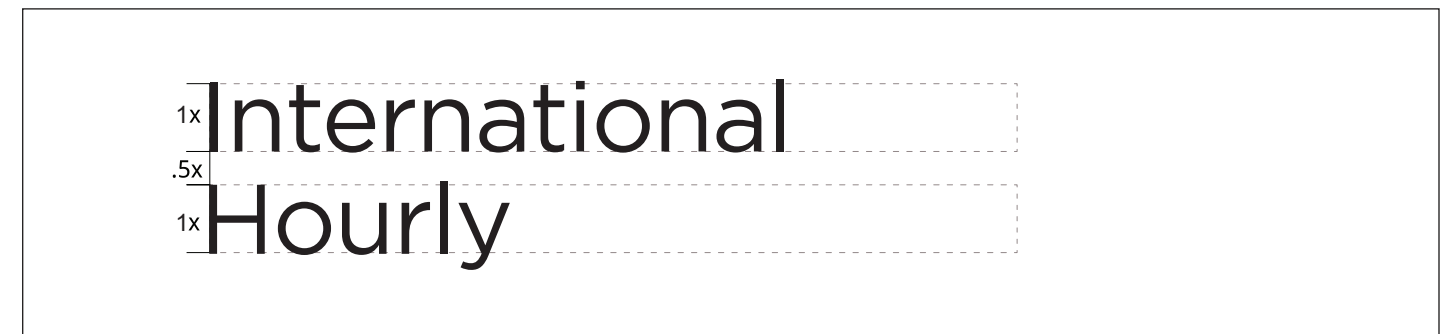
1.1-1 Gotham Book



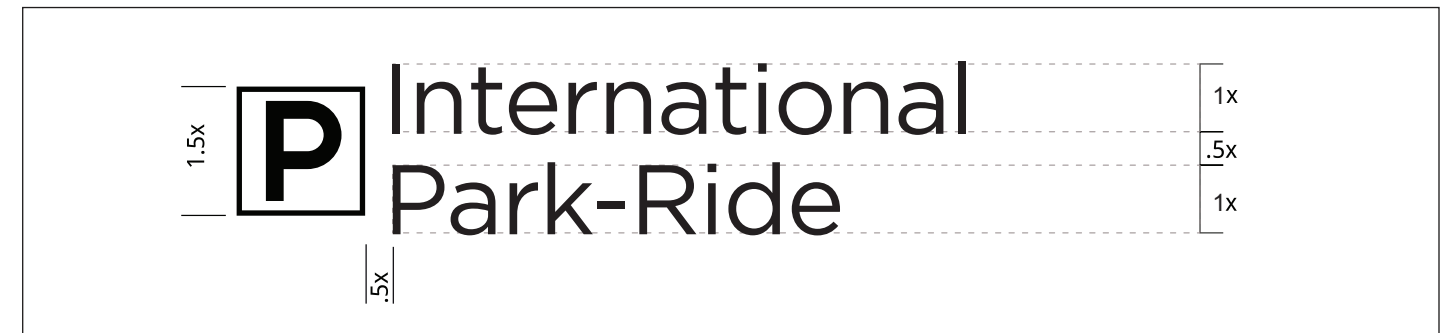
Letter Spacing Example



Line Spacing Example - Unrelated Messages



Line Spacing Example - Related Messages



Symbol / Message Spacing Example



Arrow / Symbols / Message Spacing Example

1.1-2 Letter Spacing / Line Spacing

1.1-3 Line Spacing

Principal Facilities

TERMINOLOGY	SYMBOL
Terminal	
Terminal North	
Terminal South	
South Parking	
North Parking	
ATL West Parking	
International Hourly	
International Park Ride	
Park-Ride Lot C	
Park ATL Select	

Primary Functions

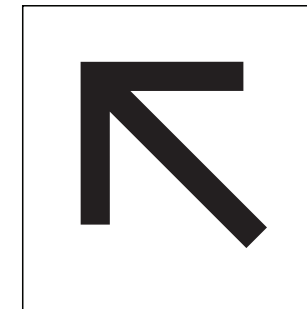
TERMINOLOGY	SYMBOL
Parking	
North Daily	
North Hourly	
South Daily	
South Hourly	
North Economy	
South Economy	
Gold Reserve (North/South)	
Levels (1, 2, 3, 4, 5, 6, 7)	

Building Circulation

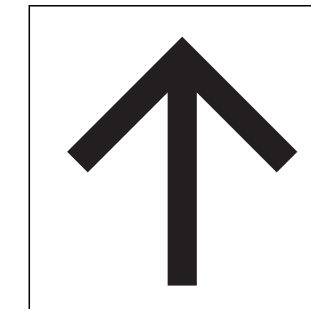
SECONDARY TERMINOLOGY	SYMBOL
Elevator	
Escalator	
Stairs	
Emergency Stairs	

Services

SECONDARY TERMINOLOGY	SYMBOL
Access	
Information	
No Smoking	
DO NOT ENTER	
EXIT	



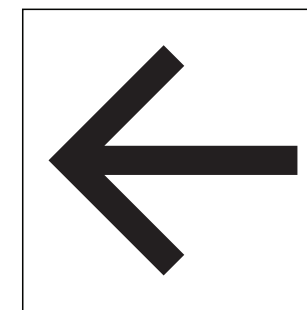
Up to the Left
10 o'clock



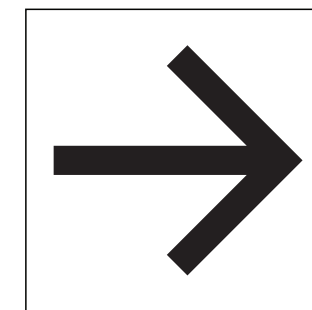
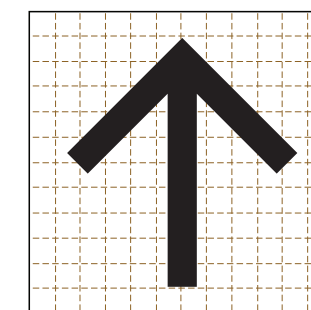
Up and/or Straight
Ahead / 12 o'clock



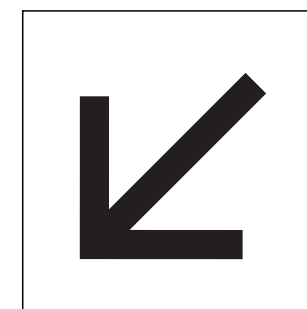
Up to the Right
2 o'clock



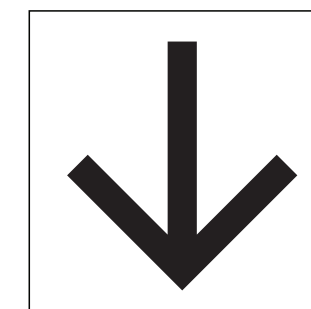
To the left
9 o'clock



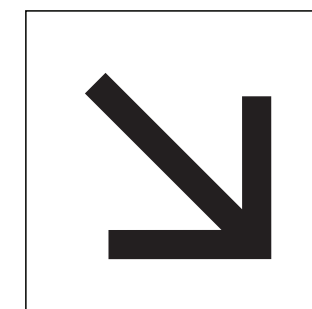
To the Right
3 o'clock



Down to the Left
7 o'clock



Down
6 o'clock



Down to the Right
5 o'clock

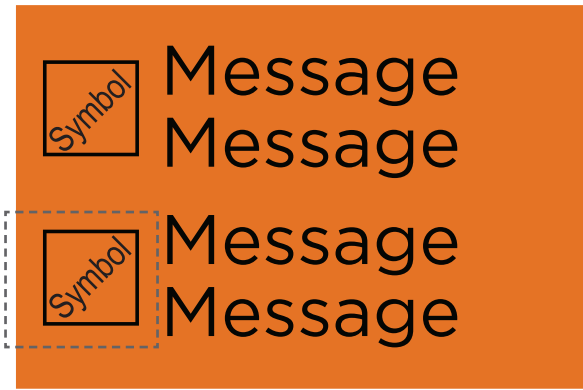
1.2-1 Terminology / Symbology

1.2-2 Arrow Standards

PRIMARY:

-  Sign Background
Pantone 152
-  Message / Symbol
Pantone Black

See fig. 1.3-2





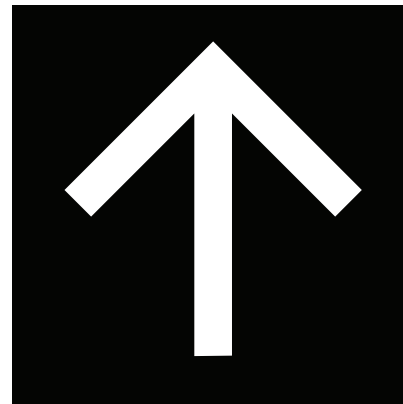
1.3-1 Color Standards (Primary): Message panel

-  Symbol Background
Pantone 152
-  International Symbols
Pantone Black





1.3-2 Color Standards (Primary): International Symbol

-  Arrow Panel Background
Pantone Black
-  Arrow Symbol
White (Opaque)



1.3-3 Color Standards (Primary): Arrow Panel / Arrow Symbol

SECONDARY:

-  Line Work / Copy
Pantone 152
-  Background
Pantone Black

Obtain high resolution artwork from the Department of Aviation

1.3-4 Color Standards (Secondary): "Detour" Stamp





-  ATL/Airplane Symbol
Pantone Cool Gray 5C
-  NET
Pantone Cool Gray 8C



1.3-5 Color Standards (Secondary): Logo / Icon

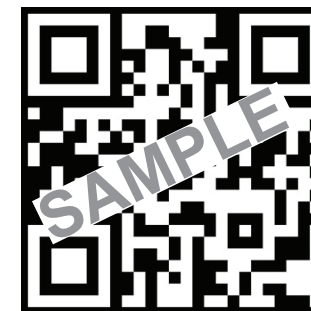
Obtain high resolution artwork from the Department of Aviation

-  Sign Background
Pantone 152
-  Stripping (Chevron)
Pantone Black



1.3-6 Color Standards (Secondary): "Chevron" Stripping

QR Code to be developed by the Client



1.3-7 Color Standards (Secondary): QR Code

2.0

TEMPORARY CONSTRUCTION SIGNAGE
SIGN TYPES

VOLUME **50** PARKING

- 2.1 Sign Type Series Number
- 2.2 Sign Type Identification System
- 2.3 Sign Type Layouts



2.1 Sign Type Series Number 2-01

2.2 Sign Type Identification System 2-01

2.3 Sign Type Layouts

ST-940 Directional (Primary) : Vehicular 2-02

ST-942 Directional (Primary) : Vehicular 2-03

ST-943 Directional (Secondary) : Vehicular 2-04

ST-946 Directional (Secondary) : Vehicular 2-05

ST-948 Directional (Secondary) : Vehicular 2-06

ST-950 Directional (Primary) : Pedestrian 2-07

ST-952 Directional (Primary) : Pedestrian 2-08

ST-956 Directional (Secondary) : Pedestrian 2-09

ST-957 Directional (Secondary) : Pedestrian 2-10

ST-958 Directional (Secondary) : Pedestrian 2-11

ST-959 Directional (Secondary) : Pedestrian 2-12

ST-965 Informational (Primary) : Pedestrian 2-13



INTERIOR SIGN TYPES:

Terminals (Domestic / International)

- 800 - 819 – Directional
- 820 - 829 – Identification
- 830 - 839 – Informational

Concourses (T,A,B,C,D,E,F)

- 840 - 849 – Directional
- 850 - 859 – Identification
- 860 - 869 – Informational

Transportation Mall (T,A,B,C,D,E,F)

- 870 - 879 – Directional
- 880 - 889 – Identification
- 890 - 899 – Informational

EXTERIOR SIGN TYPES:

Curbsides / Ground Transportation (Domestic / International)

- 900 - 919 – Directional
- 920 - 929 – Identification
- 930 - 939 – Informational

Parking (Domestic / International)

- 940 - 949 – Directional Vehicular
- 950 - 959 – Directional Pedestrian
- 960 - 964 – Identification
- 965 - 969 – Informational

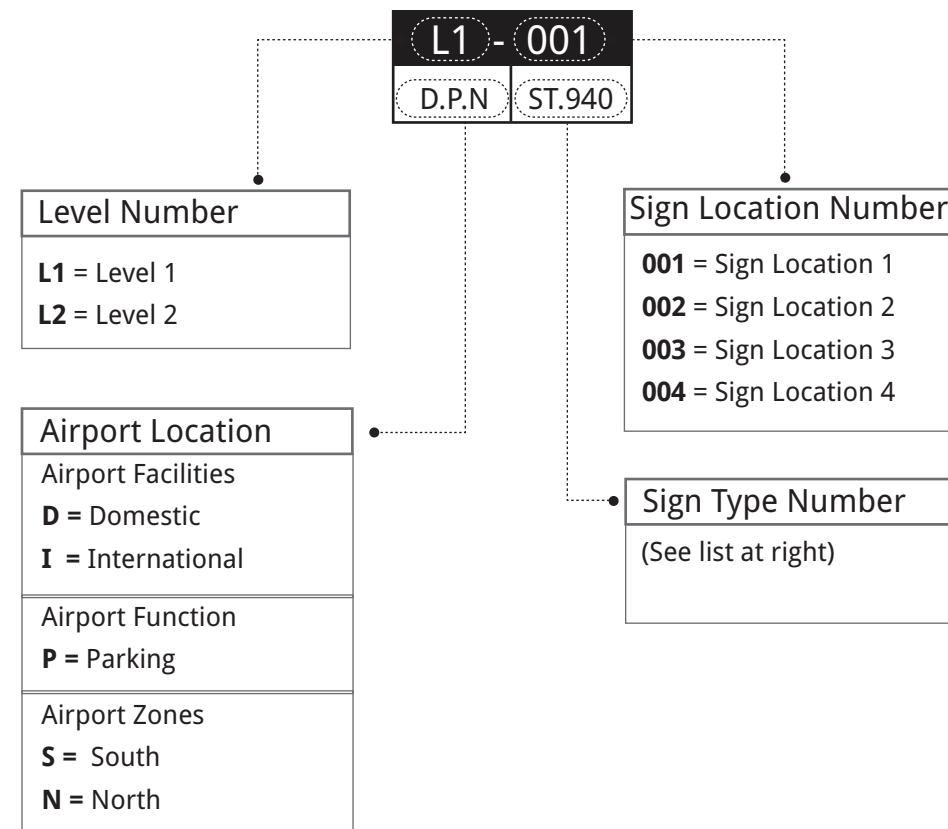
Roadways (Domestic / International)

- 970 - 979 – Directional
- 980 - 989 – Identification
- 990 - 999 – Informational

2.2 Sign Type Identification System
Sign Location Indicator

Sign Type Series Numbers

2.2 - 1 Sign Location Indicator



2.2 - 2 Sign Type Series Numbers - Temporary Construction Signage

<p>900 Series – Temporary Signage (Domestic / International)</p> <p>EXTERIOR SIGN TYPES:</p> <p>Parking (Domestic / International)</p> <ul style="list-style-type: none"> 940 - 949 – Directional Vehicular 950 - 959 – Directional Pedestrian 960 - 964 – Identification 965 - 969 – Informational
--

Descriptions: Directional - Primary
Vehicular

Dimensions: 1' - 0" H x 14' - 0" W x 0.25" D

Location:
North Parking: Levels 1, 2, 3
South Parking: Levels 1, 2, 3
ATL West Parking: Levels 1, 2, 3, 4, 5, 6
International Hourly: Levels 1, 2, 3, 4
International Park-Ride: Levels 1, 2, 3, 4

Typography: Section 1.0 - Graphics Standards (p1-01)

Symbology: Section 1.0 - Graphics Standards (p1-02)

Colors: Section 1.0 - Graphics Standards (p1-03)

Material: 0.25" Sintra® (or approved equal)

Base Support: Section 2.0 - Sign Types

Graphics: "Detour" Stamp:
Section 1.0 - Graphics Standards (p1-03)

"Chevron" Stripping:
Section 1.0 - Graphics Standards (p1-03)

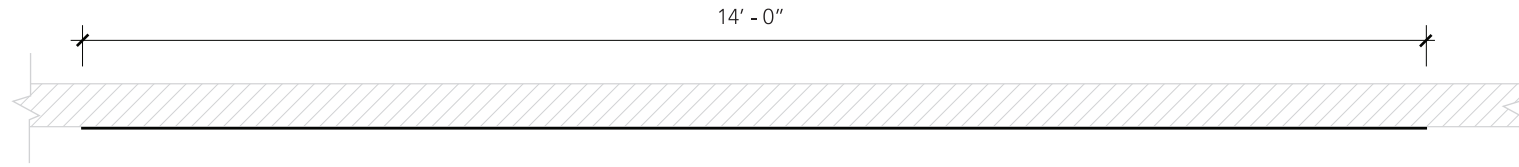
ATLNEXT logo:
Section 1.0 - Graphics Standards (p1-03)

QR Code:
Section 1.0 - Graphics Standards (p1-03)

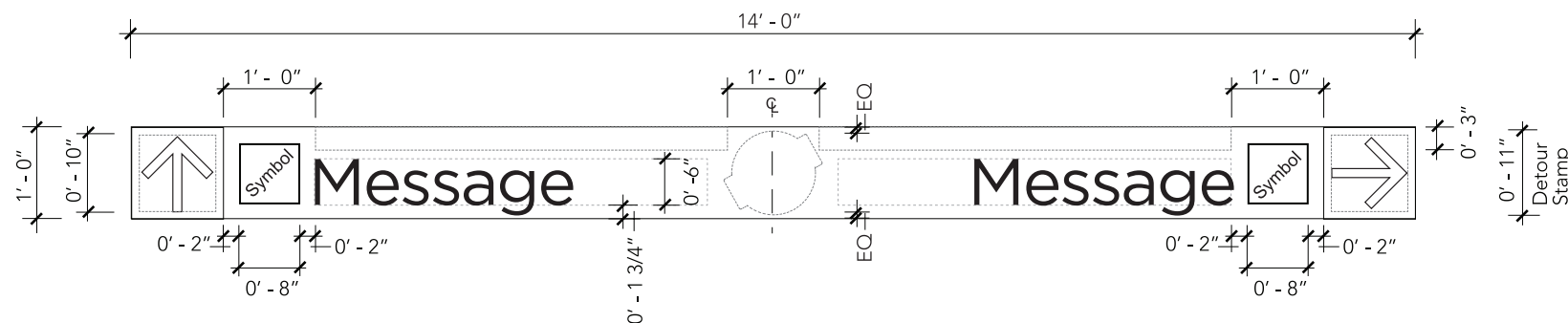
Mounting: Overhead Suspended / Beam

Illuminations: N/A

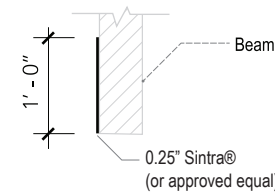
Application: Removable



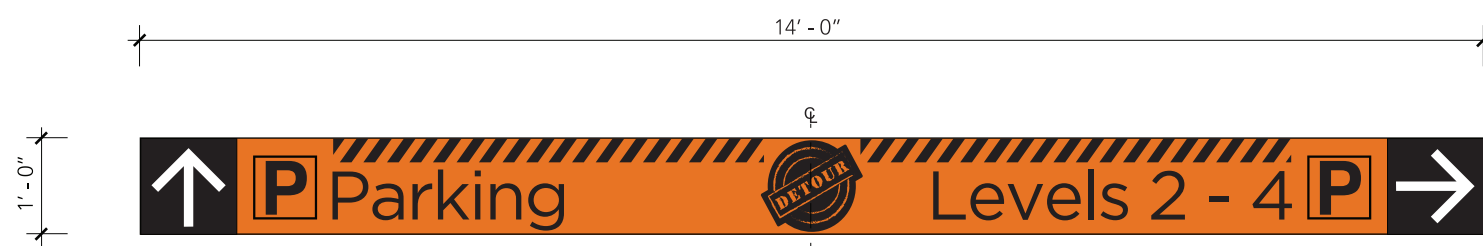
1 PLAN
SCALE: 1/2" = 1' - 0"



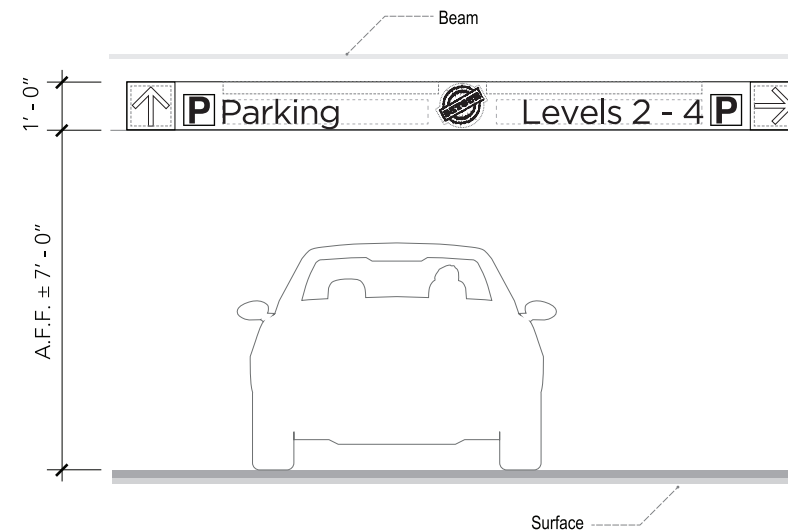
2 FRONT - SIDE A
SCALE: 1/2" = 1' - 0"



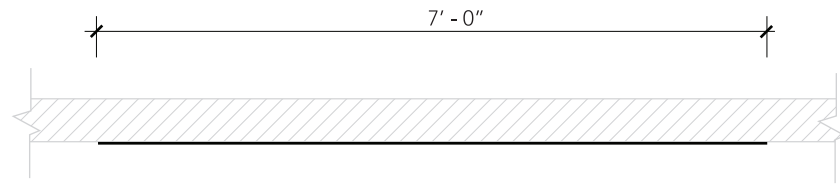
3 PROFILE
SCALE: 1/2" = 1' - 0"



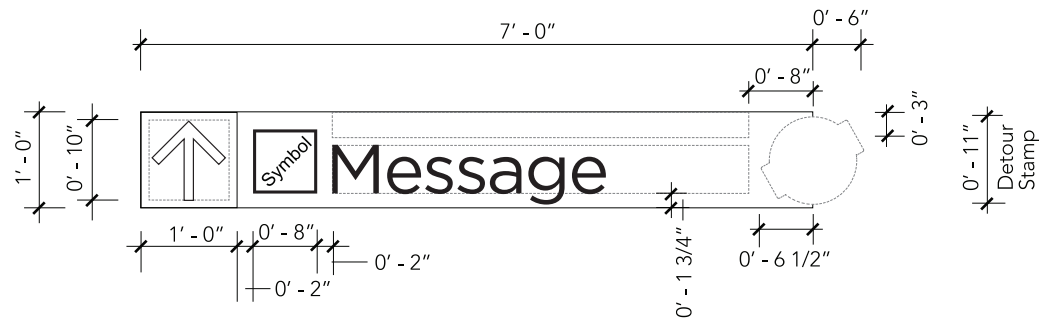
4 FINISH
SCALE: 1/2" = 1' - 0"



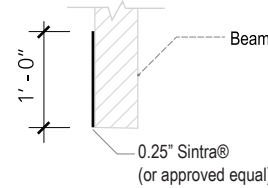
5 ELEVATION
SCALE: 1/4" = 1' - 0"



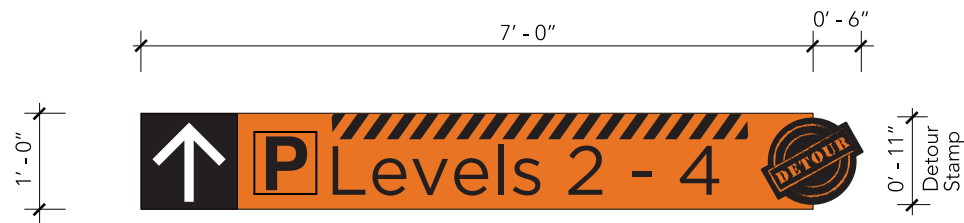
1 PLAN
SCALE: 1/2" = 1' - 0"



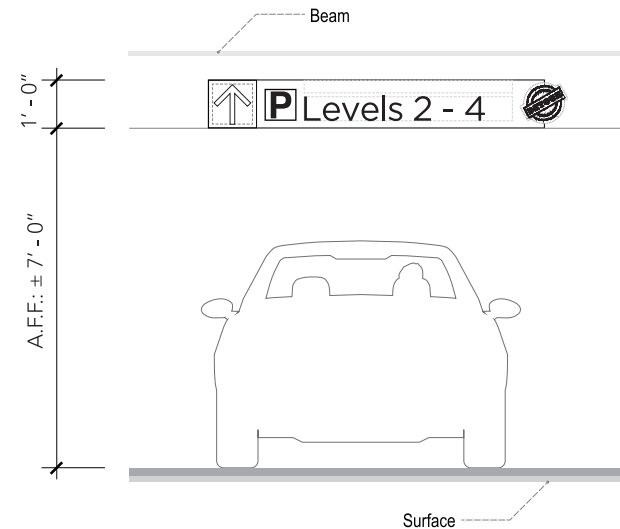
2 FRONT - SIDE A
SCALE: 1/2" = 1' - 0"



3 PROFILE
SCALE: 1/2" = 1' - 0"



4 FINISH
SCALE: 1/2" = 1' - 0"



5 ELEVATION
SCALE: 1/4" = 1' - 0"

Descriptions: Directional - Primary
Vehicular

Dimensions: 1' - 0" H x 14' - 0" W x 0.25" D

Location:
North Parking: Levels 1, 2, 3
South Parking: Levels 1, 2, 3
ATL West Parking: Levels 1, 2, 3, 4, 5, 6
International Hourly: Levels 1, 2, 3, 4
International Park-Ride: Levels 1, 2, 3, 4

Typography: Section 1.0 - Graphics Standards (p1-01)

Symbology: Section 1.0 - Graphics Standards (p1-02)

Colors: Section 1.0 - Graphics Standards (p1-03)

Material: 0.25" Sintra® (or approved equal)

Base Support: Section 2.0 - Sign Types

Graphics: "Detour" Stamp:
Section 1.0 - Graphics Standards (p1-03)

"Chevron" Stripping:
Section 1.0 - Graphics Standards (p1-03)

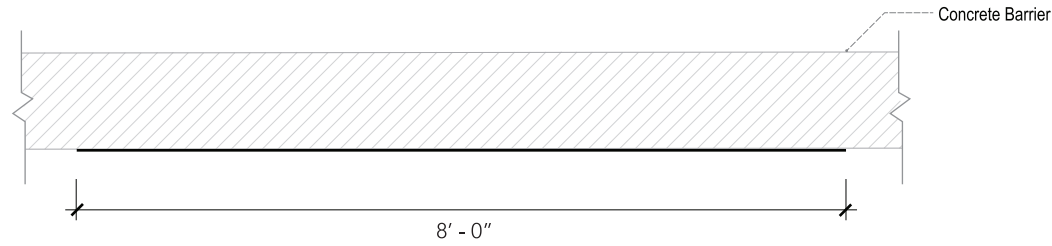
ATLNEXT logo:
Section 1.0 - Graphics Standards (p1-03)

QR Code:
Section 1.0 - Graphics Standards (p1-03)

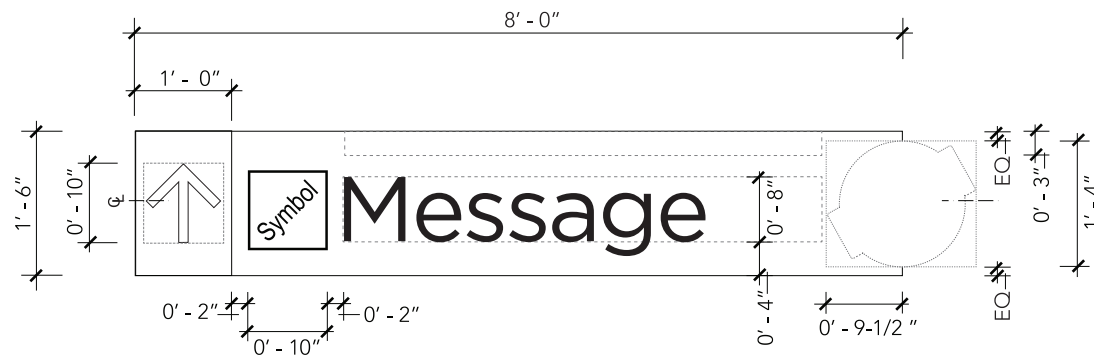
Mounting: Overhead Suspended / Beam

Illuminations: N/A

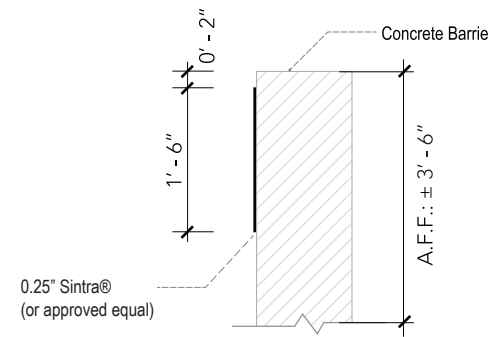
Application: Removable



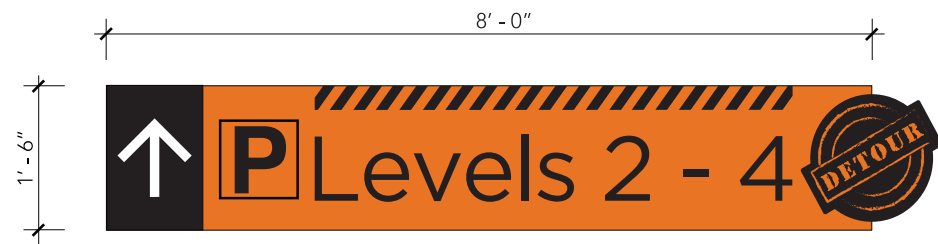
1 PLAN
SCALE: 1/2" = 1' - 0"



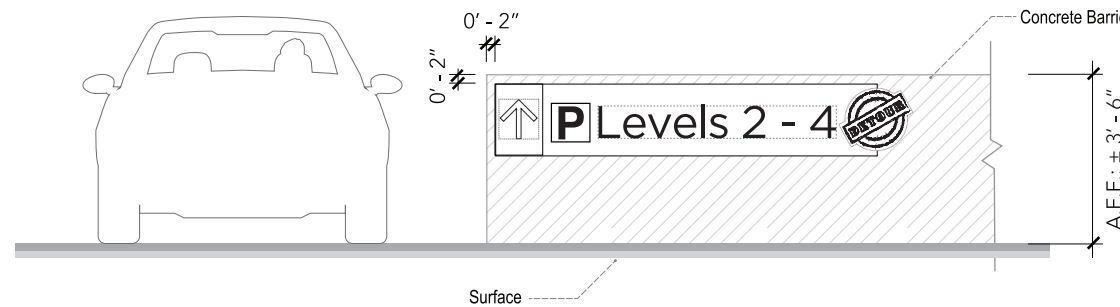
2 FRONT
SCALE: 1/2" = 1' - 0"



3 PROFILE
SCALE: 1/2" = 1' - 0"



4 FINISH
SCALE: 1/2" = 1' - 0"



5 ELEVATION
SCALE: 1/4" = 1' - 0"

Descriptions: Directional - Secondary
Vehicular

Dimensions: 1' - 6" H x 8' - 0" W x 0.25" D

Location:
North Parking: Level 4
South Parking: Level 4
ATL West Parking: Level 7
International Hourly: Level 5
International Park-Ride: Level 5

Typography: Section 1.0 - Graphics Standards (p1-01)

Symbology: Section 1.0 - Graphics Standards (p1-02)

Colors: Section 1.0 - Graphics Standards (p1-03)

Material: 0.25" Sintra® (or approved equal)

Base Support: Section 2.0 - Sign Types

Graphics: "Detour" Stamp:
Section 1.0 - Graphics Standards (p1-03)

"Chevron" Stripping:
Section 1.0 - Graphics Standards (p1-03)

ATLNEXT logo:
Section 1.0 - Graphics Standards (p1-03)

QR Code:
Section 1.0 - Graphics Standards (p1-03)

Mounting: Barrier

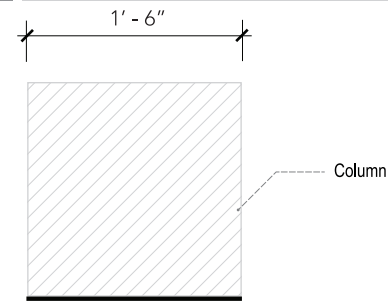
Illuminations: N/A

Application: Removable

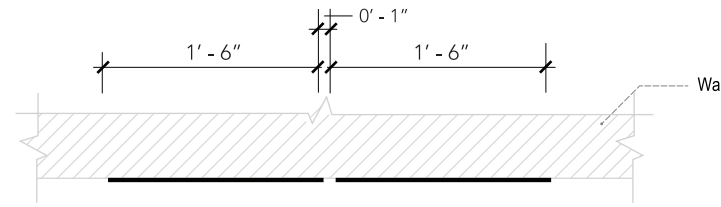
2.0 SIGN TYPES

2.3 Sign Type Layouts

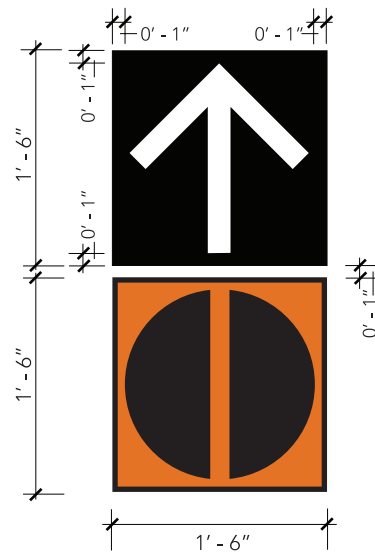
DIRECTIONAL ST-946



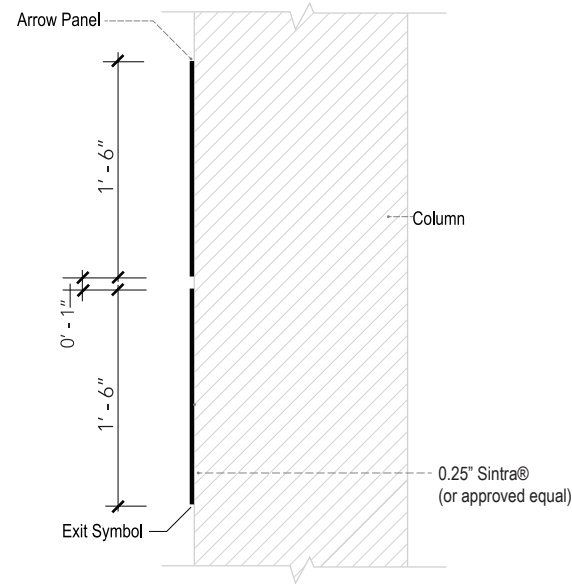
1 PLAN A
SCALE: 3/4" = 1' - 0"



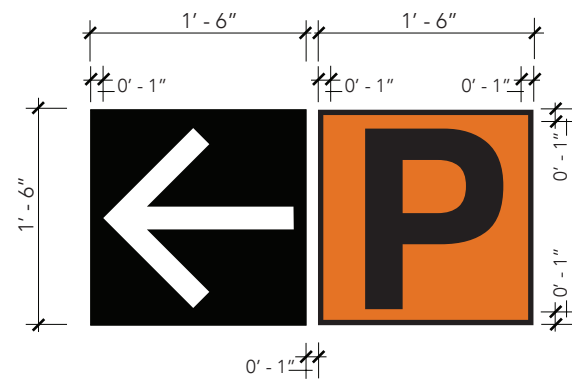
2 PLAN B
SCALE: 3/4" = 1' - 0"



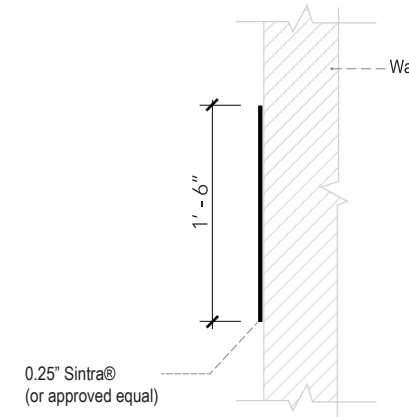
3 FRONT / FINISH A
SCALE: 3/4" = 1' - 0"



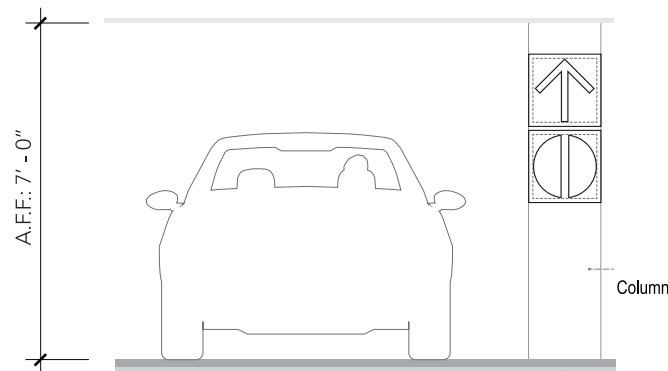
4 PROFILE A
SCALE: 3/4" = 1' - 0"



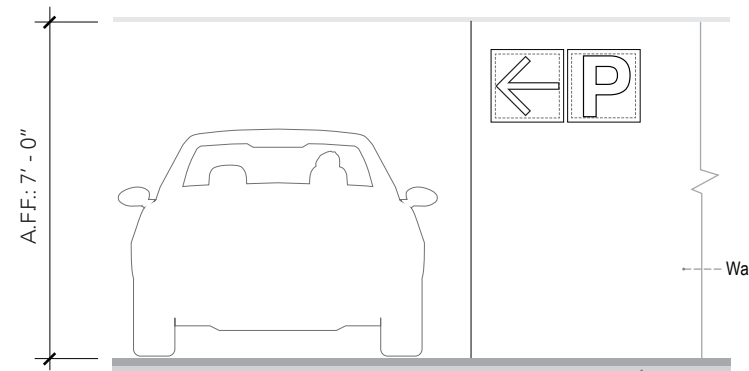
5 FRONT / FINISH B
SCALE: 3/4" = 1' - 0"



6 PROFILE B
SCALE: 3/4" = 1' - 0"



7 ELEVATION A
SCALE: 1/4" = 1' - 0"



8 ELEVATION B
SCALE: 1/4" = 1' - 0"

Descriptions: Directional - Secondary Vehicular

Dimensions: 1' - 6" H x 1' - 6" W x 0.25" D

Location:
North Parking: Levels 1, 2, 3
South Parking: Levels 1, 2, 3
ATL West Parking: Levels 1, 2, 3, 4, 5, 6
International Hourly: Levels 1, 2, 3, 4
International Park-Ride: Levels 1, 2, 3, 4

Typography: Section 1.0 - Graphics Standards (p1-01)

Symbology: Section 1.0 - Graphics Standards (p1-02)

Colors: Section 1.0 - Graphics Standards (p1-03)

Material: 0.25" Sintra® (or approved equal)

Base Support: Section 2.0 - Sign Types

Graphics:
 "Detour" Stamp:
 Section 1.0 - Graphics Standards (p1-03)

 "Chevron" Stripping:
 Section 1.0 - Graphics Standards (p1-03)

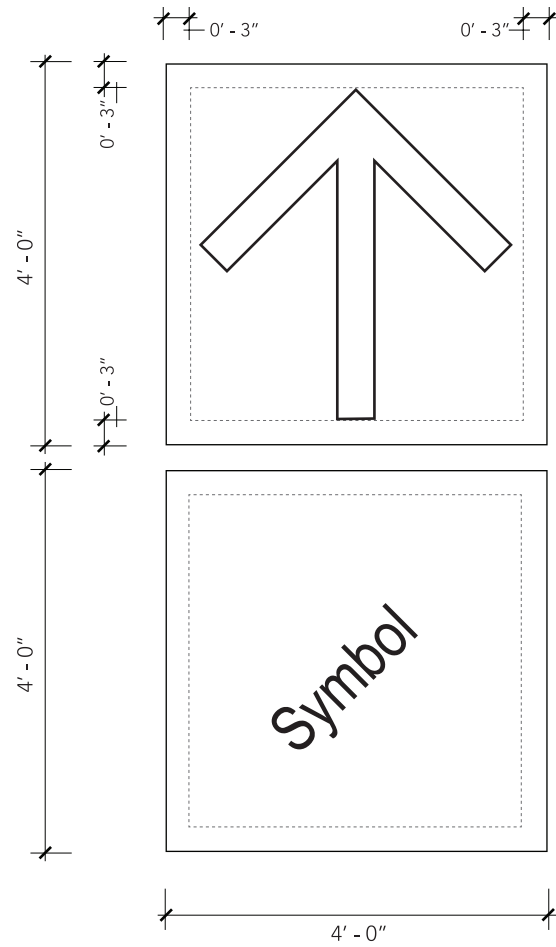
 ATLNEXT logo:
 Section 1.0 - Graphics Standards (p1-03)

 QR Code:
 Section 1.0 - Graphics Standards (p1-03)

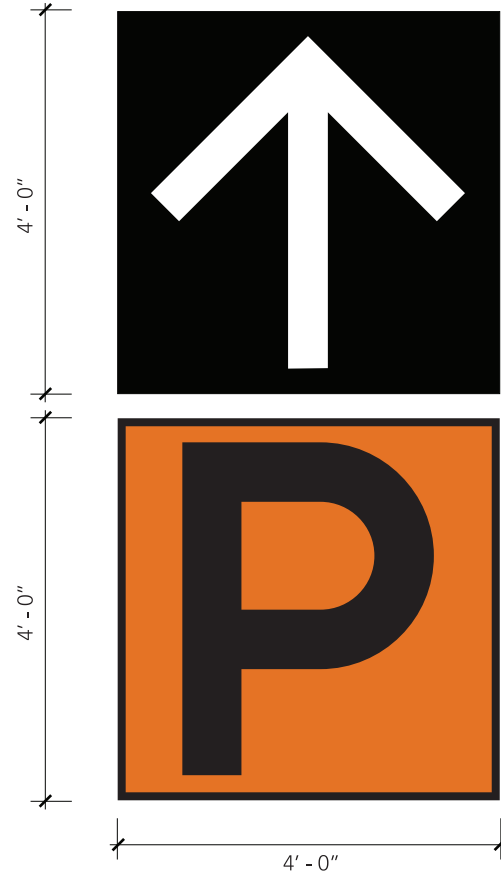
Mounting: Column / Wall

Illuminations: N/A

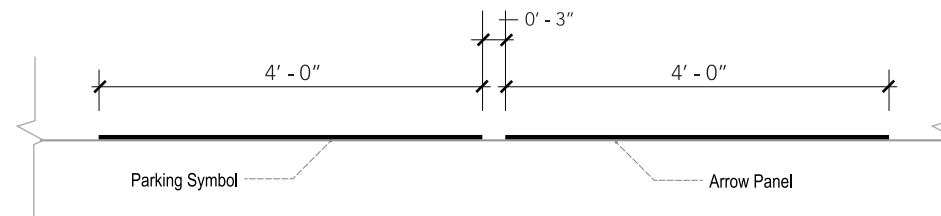
Application: Removable



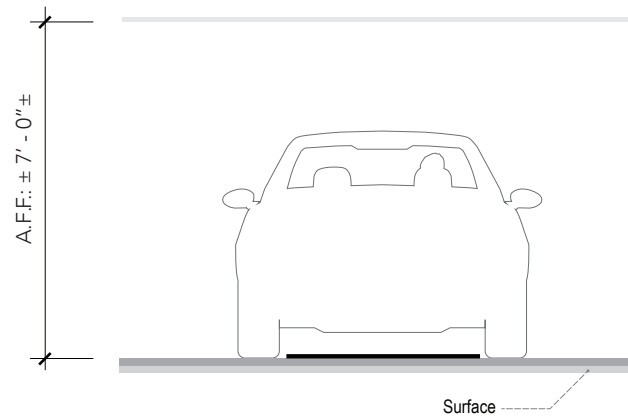
1 PLAN / FRONT
SCALE: 1/2" = 1' - 0"



2 FINISH
SCALE: 1/2" = 1' - 0"



3 PROFILE
SCALE: 1/2" = 1' - 0"



4 ELEVATION
SCALE: 1/4" = 1' - 0"

Descriptions: Directional - Secondary Vehicular

Dimensions: 4' - 0" H x 4' - 0" W

Location:
North Parking: Levels 1, 2, 3, 4
North Economy
South Parking: Levels 1, 2, 3, 4
South Economy
ATL West Parking: Levels 1, 2, 3, 4, 5, 6, 7
Park - Ride Lot C
Park ATL Select
International Hourly: Levels 1, 2, 3, 4, 5
International Park-Ride: Levels 1, 2, 3, 4, 5

Typography: Section 1.0 - Graphics Standards (p1-01)

Symbology: Section 1.0 - Graphics Standards (p1-02)

Colors: Section 1.0 - Graphics Standards (p1-03)

Material: 3M Scotchlcal Graphic Film for Textured Surfaces IJ8624 (or approved equal)

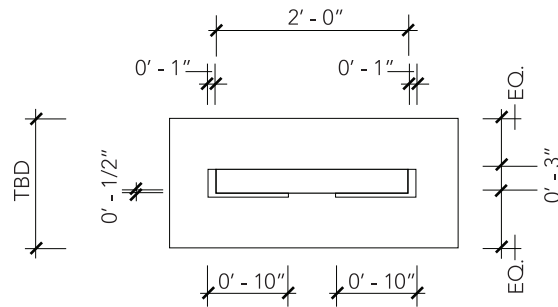
Base Support: Section 2.0 - Sign Types

Graphics: "Detour" Stamp: Section 1.0 - Graphics Standards (p1-03)
 "Chevron" Stripping: Section 1.0 - Graphics Standards (p1-03)
 ATLNEXT logo: Section 1.0 - Graphics Standards (p1-03)
 QR Code: Section 1.0 - Graphics Standards (p1-03)

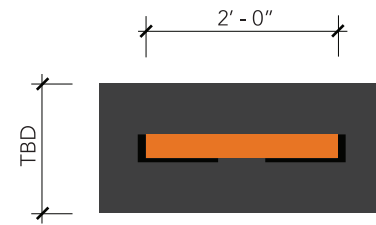
Mounting: Surface Application

Illuminations: N/A

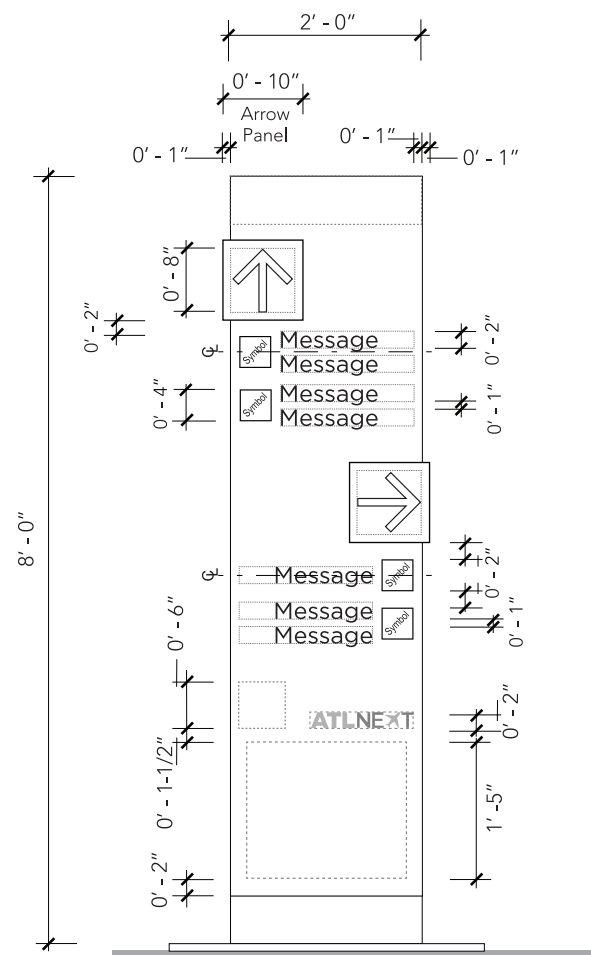
Application: Removable



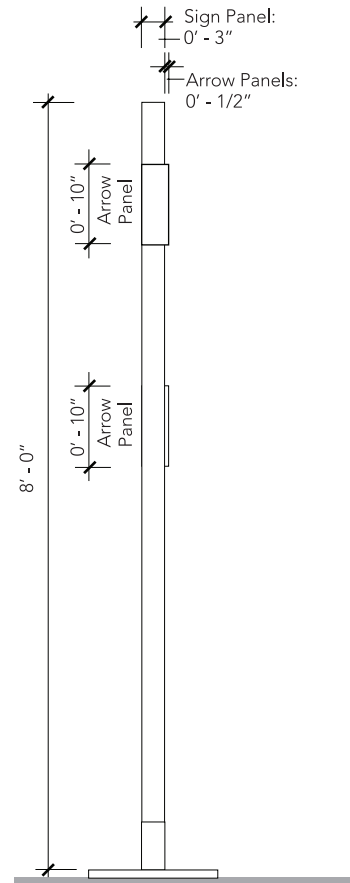
1 PLAN
SCALE: 1/2" = 1' - 0"



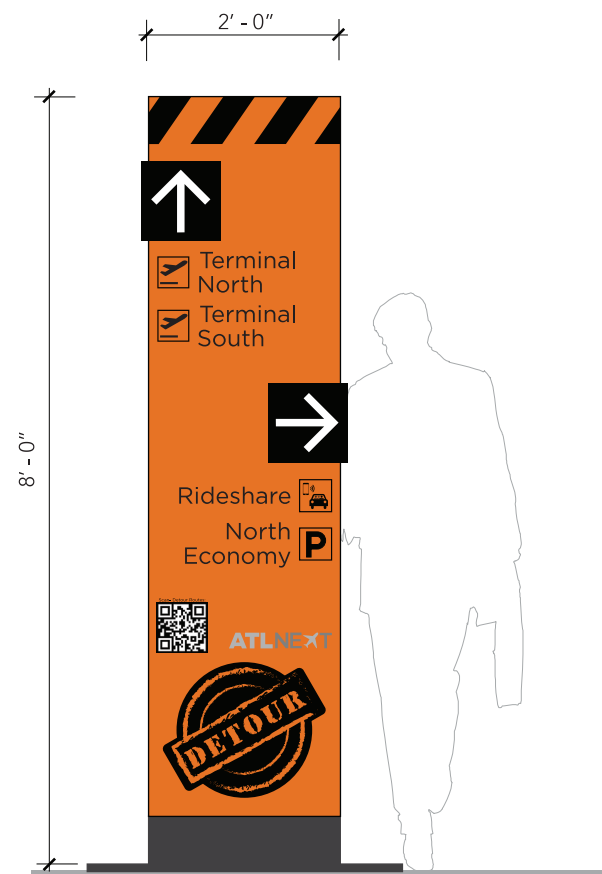
2 FINISH - PLAN
SCALE: 1/2" = 1' - 0"



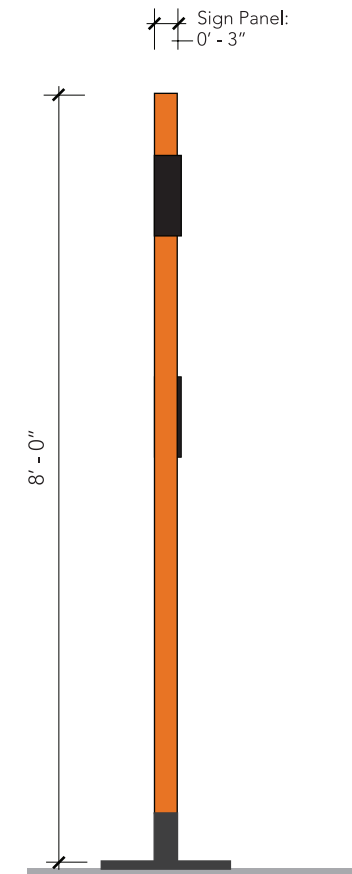
3 FRONT
SCALE: 1/2" = 1' - 0"



4 PROFILE
SCALE: 1/2" = 1' - 0"



5 FINISH - FRONT
SCALE: 1/2" = 1' - 0"



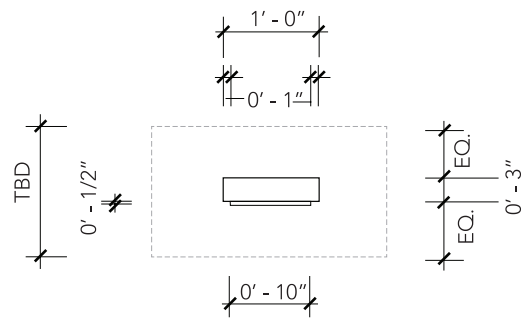
6 FINISH - PROFILE
SCALE: 1/2" = 1' - 0"

- Descriptions:** Directional - Primary
Pedestrian
- Dimensions:** 8' - 0" H x 2' - 0" W x 0' - 3" D
- Location:** **North Parking:** Levels 1, 2, 3, 4
South Parking: Levels 1, 2, 3, 4
ATL West Deck: Levels 1, 2, 3, 4, 5, 6, 7
International Hourly: Levels 1, 2, 3, 4, 5
International Park-Ride: Levels 1, 2, 3, 4, 5
- Typography:** Section 1.0 - Graphics Standards (p1-01)
- Symbology:** Section 1.0 - Graphics Standards (p1-02)
- Colors:** Section 1.0 - Graphics Standards (p1-03)
- Material:** 0.25" Sintra® (or approved equal)
- Base Support:** Section 2.0 - Sign Types
- Graphics:** "Detour" Stamp:
Section 1.0 - Graphics Standards (p1-03)

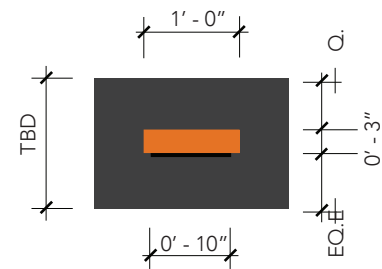
"Chevron" Stripping:
Section 1.0 - Graphics Standards (p1-03)

ATLNEXT logo:
Section 1.0 - Graphics Standards (p1-03)

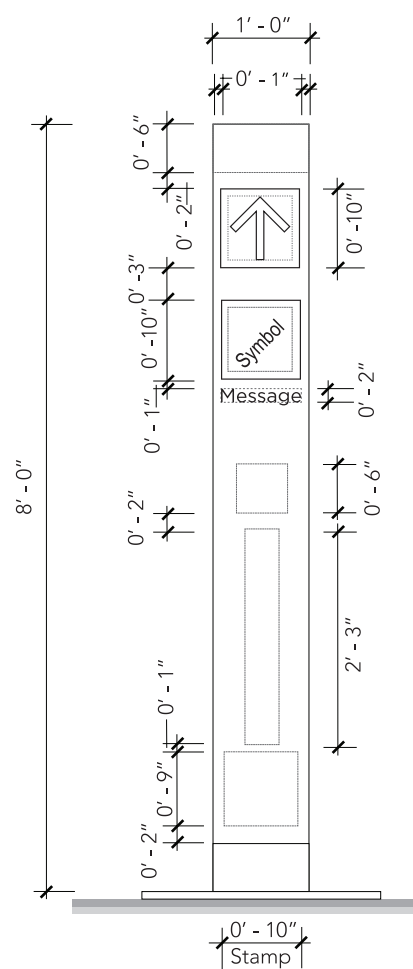
QR Code:
Section 1.0 - Graphics Standards (p1-03)
- Mounting:** Freestanding
- Illuminations:** N/A
- Application:** Removable



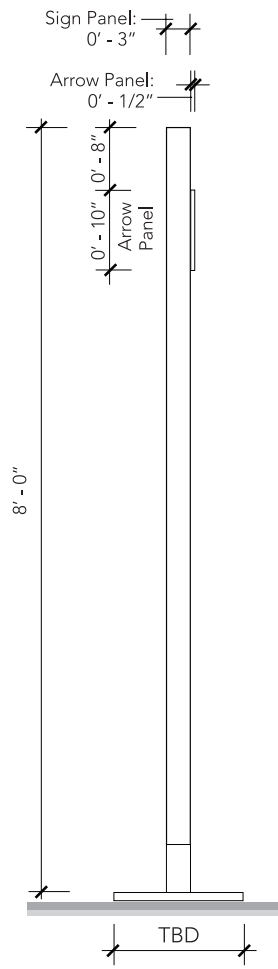
1 PLAN
SCALE: 1/2" = 1' - 0"



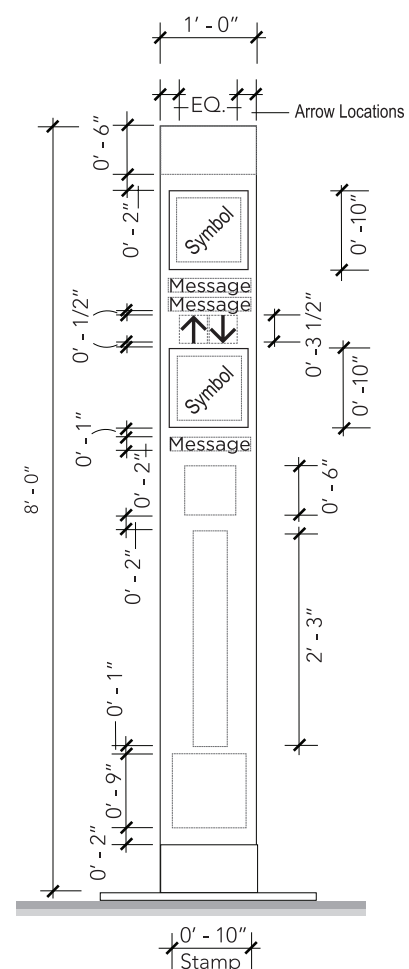
2 FINISH - PLAN
SCALE: 1/2" = 1' - 0"



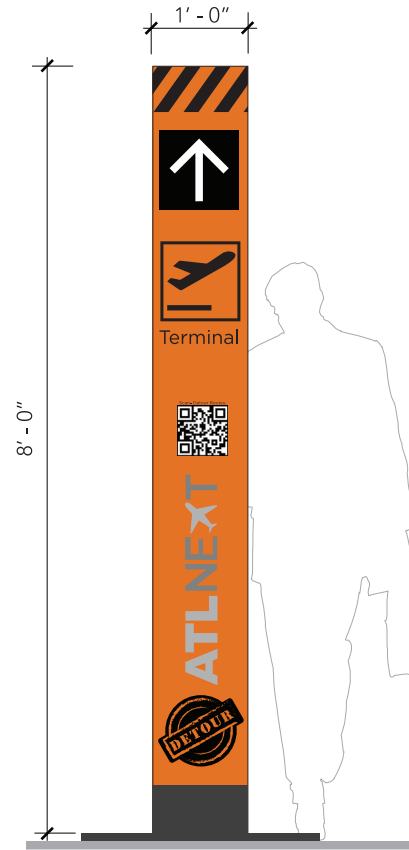
3 FRONT - SIDE A
SCALE: 1/2" = 1' - 0"



4 PROFILE
SCALE: 1/2" = 1' - 0"



5 FRONT - SIDE B
SCALE: 1/2" = 1' - 0"



6 FINISH - SIDE A
SCALE: 1/2" = 1' - 0"



7 FINISH - SIDE B
SCALE: 1/2" = 1' - 0"

Descriptions: Directional - Primary
Pedestrian

Dimensions: 8' - 0" H x 1' - 0" W x 0' - 3" D

Location:
North Parking: Levels 1, 2, 3, 4
South Parking: Levels 1, 2, 3, 4
ATL West Deck: Levels 1, 2, 3, 4, 5, 6, 7
International Hourly: Levels 1, 2, 3, 4, 5
International Park-Ride: Levels 1, 2, 3, 4, 5

Typography: Section 1.0 - Graphics Standards (p1-01)

Symbology: Section 1.0 - Graphics Standards (p1-02)

Colors: Section 1.0 - Graphics Standards (p1-03)

Material: 0.25" Sintra® (or approved equal)

Base Support: Section 2.0 - Sign Types

Graphics: "Detour" Stamp:
Section 1.0 - Graphics Standards (p1-03)

"Chevron" Stripping:
Section 1.0 - Graphics Standards (p1-03)

ATLNEXT logo:
Section 1.0 - Graphics Standards (p1-03)

QR Code:
Section 1.0 - Graphics Standards (p1-03)

Mounting: Freestanding

Illuminations: N/A

Application: Removable

Descriptions: Directional - Secondary
Pedestrian

Dimensions: 3' - 3" H x 1' - 0" W x 0.25" D

Location:
North Parking: Levels 1, 2, 3
South Parking: Levels 1, 2, 3
ATL West Deck: Levels 1, 2, 3, 4, 5, 6
International Hourly: Levels 1, 2, 3, 4
International Park-Ride: Levels 1, 2, 3, 4

Typography: Section 1.0 - Graphics Standards (p1-01)

Symbology: Section 1.0 - Graphics Standards (p1-02)

Colors: Section 1.0 - Graphics Standards (p1-03)

Material: 0.25" Sintra® (or approved equal)

Base Support: Section 2.0 - Sign Types

Graphics: "Detour" Stamp:
Section 1.0 - Graphics Standards (p1-03)

"Chevron" Stripping:
Section 1.0 - Graphics Standards (p1-03)

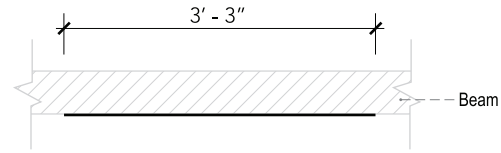
ATLNEXT logo:
Section 1.0 - Graphics Standards (p1-03)

QR Code:
Section 1.0 - Graphics Standards (p1-03)

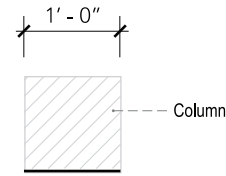
Mounting: Freestanding

Illuminations: N/A

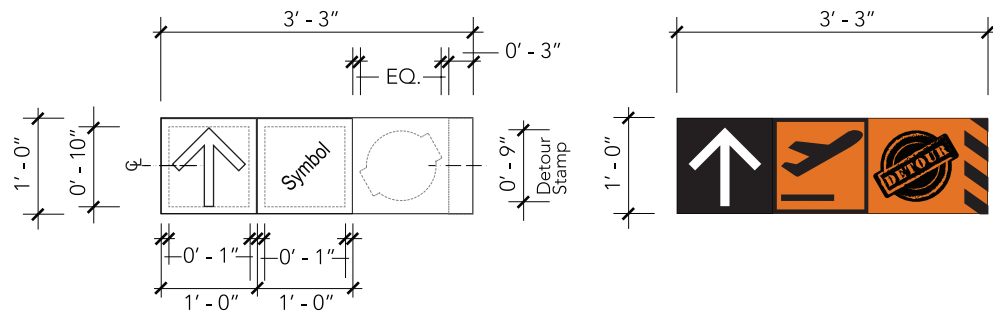
Application: Removable



1 PLAN A
SCALE: 1/2" = 1' - 0"

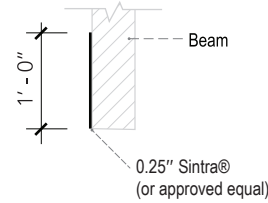


2 PLAN B
SCALE: 1/2" = 1' - 0"

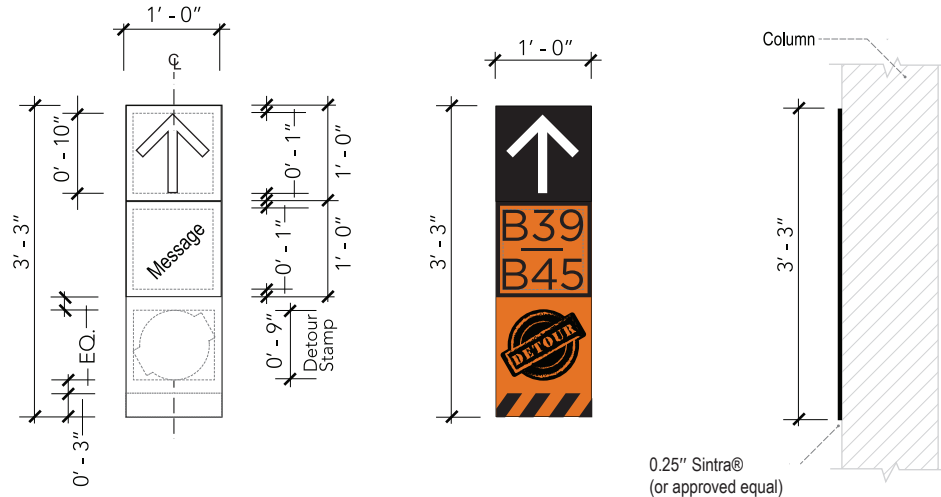


3 FRONT A
SCALE: 1/2" = 1' - 0"

4 FINISH A
SCALE: 1/2" = 1' - 0"



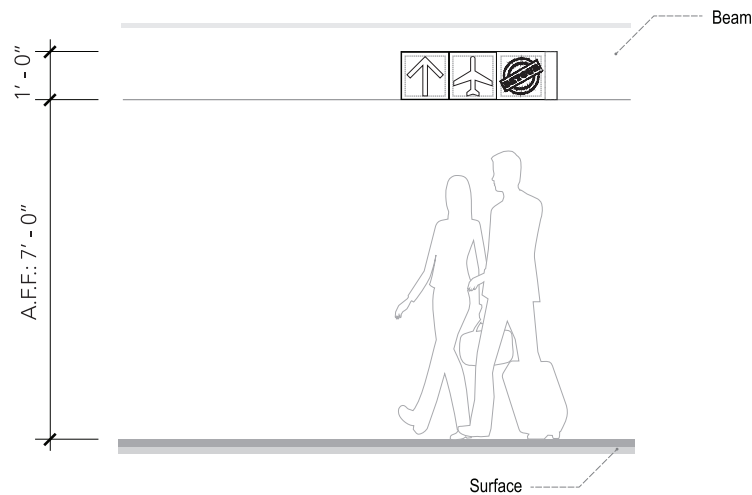
5 PROFILE A
SCALE: 1/2" = 1' - 0"



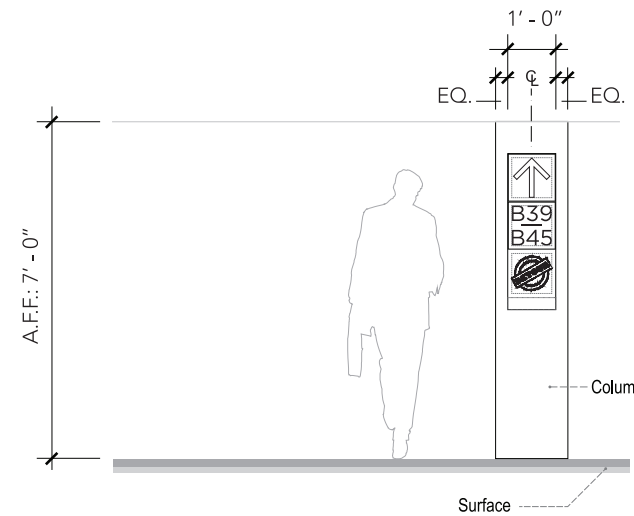
6 FRONT B
SCALE: 1/2" = 1' - 0"

7 FINISH B
SCALE: 1/2" = 1' - 0"

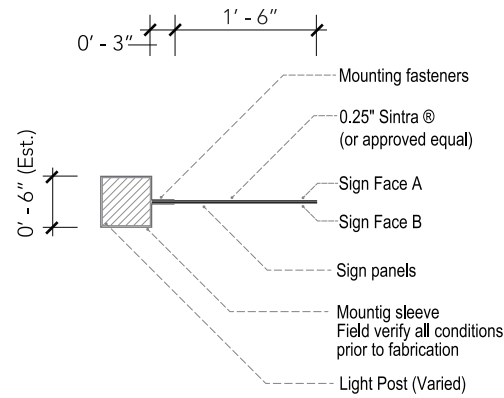
8 PROFILE B
SCALE: 1/2" = 1' - 0"



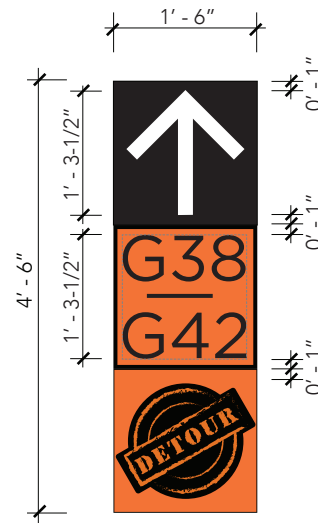
6 ELEVATION A
SCALE: 1/4" = 1' - 0"



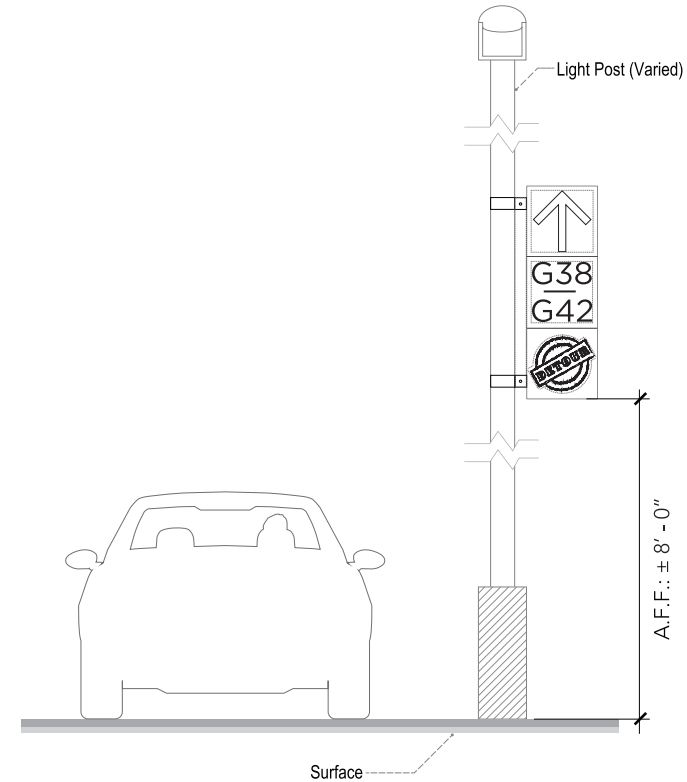
7 ELEVATION B
SCALE: 1/4" = 1' - 0"



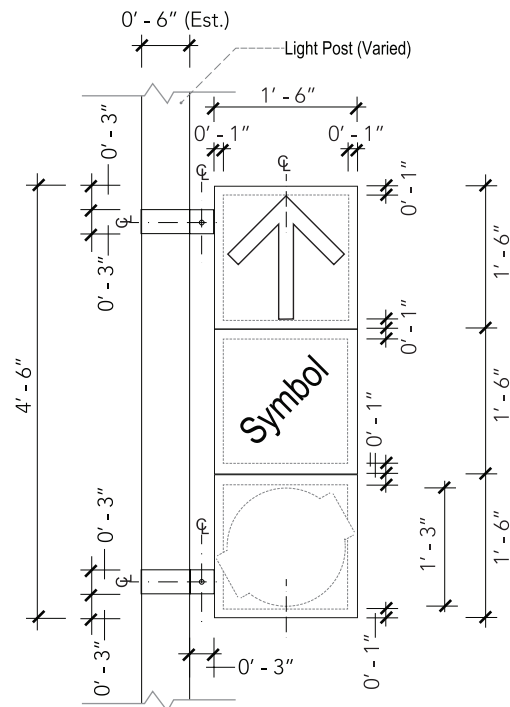
1 PLAN / FINISH
SCALE: 1/2" = 1' - 0"



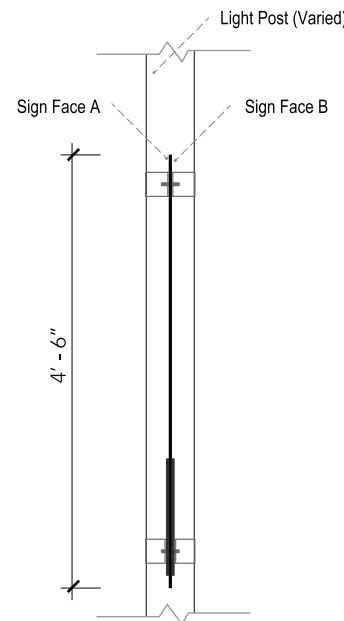
2 FINISH A
SCALE: 1/2" = 1' - 0"



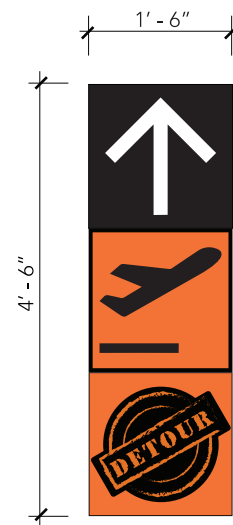
3 ELEVATION A
SCALE: 1/4" = 1' - 0"



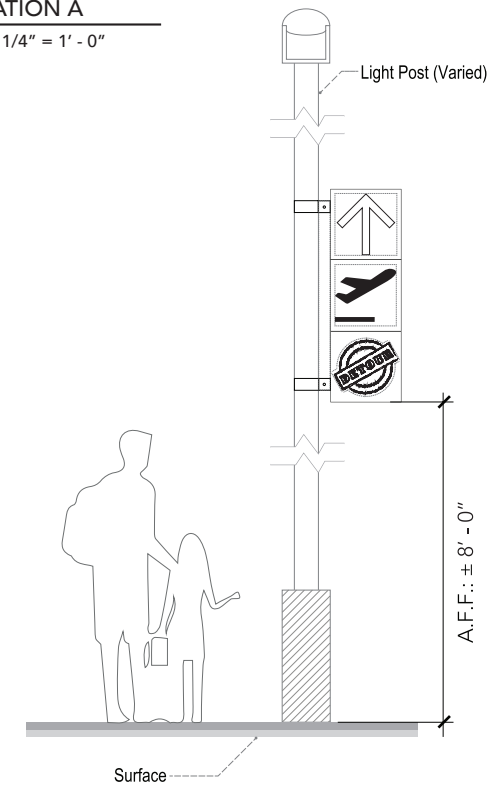
4 FRONT A / B
SCALE: 1/2" = 1' - 0"



5 PROFILE A / B
SCALE: 1/2" = 1' - 0"

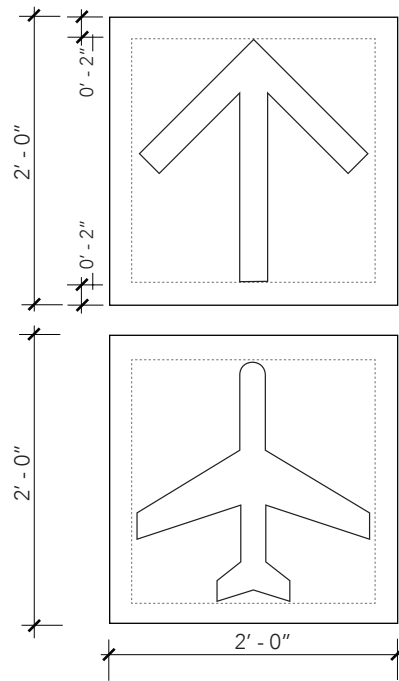


6 FINISH B
SCALE: 1/2" = 1' - 0"

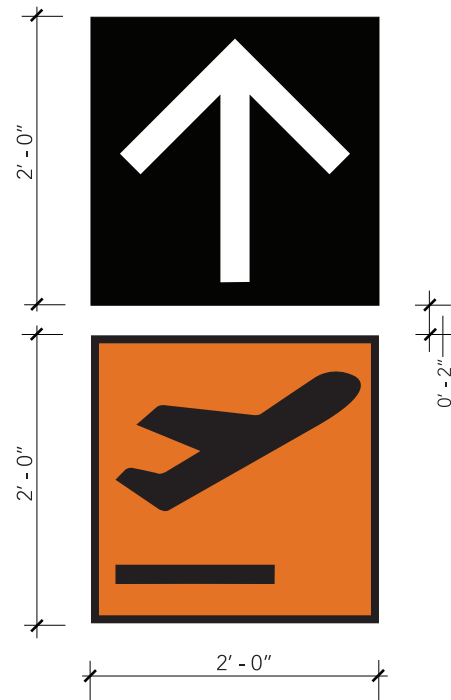


7 ELEVATION B
SCALE: 1/4" = 1' - 0"

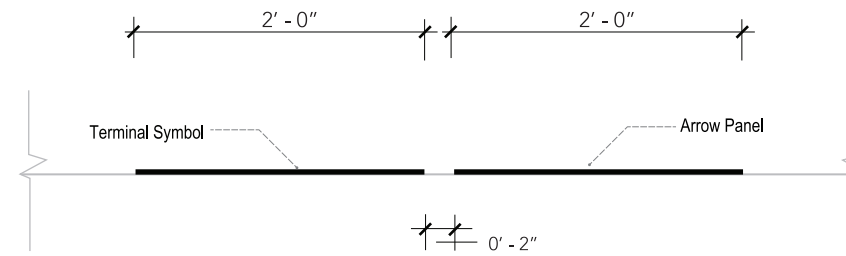
- Descriptions:** Directional - Secondary Pedestrian
- Dimensions:** 4' - 6" H x 1' - 6" W x 0.25" D
- Location:**
 - North Parking: Level 4
 - North Economy
 - South Parking: Level 4
 - South Economy
 - ATL West Deck: Level 7
 - Park - Ride Lot C
 - Park ATL Select
 - International Hourly: Level 5
 - International Park-Ride: Level 5
- Typography:** Section 1.0 - Graphics Standards (p1-01)
- Symbology:** Section 1.0 - Graphics Standards (p1-02)
- Colors:** Section 1.0 - Graphics Standards (p1-03)
- Material:** 0.25" Sintra® (or approved equal)
- Base Support:** Section 2.0 - Sign Types
- Graphics:**
 - "Detour" Stamp: Section 1.0 - Graphics Standards (p1-03)
 - "Chevron" Stripping: Section 1.0 - Graphics Standards (p1-03)
 - ATLNEXT logo: Section 1.0 - Graphics Standards (p1-03)
 - QR Code: Section 1.0 - Graphics Standards (p1-03)
- Mounting:** Post (Existing)
- Illuminations:** N/A
- Application:** Removable



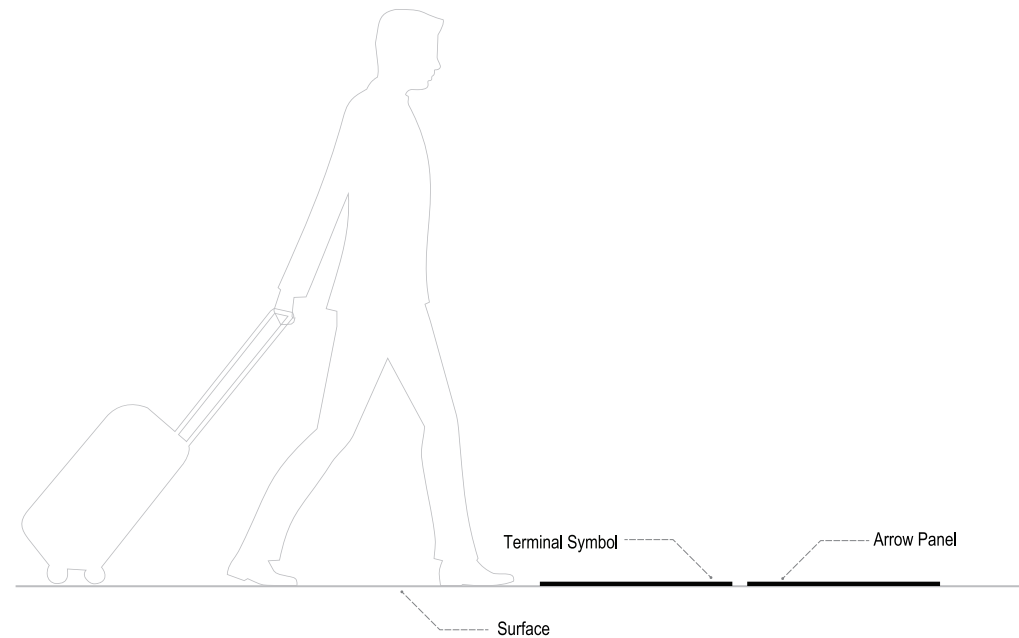
1 PLAN
SCALE: 3/4" = 1' - 0"



2 FINISH
SCALE: 3/4" = 1' - 0"



3 PROFILE
SCALE: 3/4" = 1' - 0"



4 ELEVATION
SCALE: 1/2" = 1' - 0"

Descriptions: Directional - Secondary
Pedestrian

Dimensions: 2' - 0" H x 2' - 0" W

Location: **North Parking:** Levels 1, 2, 3, 4
North Economy
South Parking: Levels 1, 2, 3, 4
South Economy
Park - Ride Lot C
Park ATL Select
ATL West Deck: Levels 1, 2, 3, 4, 5, 6, 7
International Hourly: Levels 1, 2, 3, 4, 5
International Park-Ride: Levels 1, 2, 3, 4, 5

Typography: Section 1.0 - Graphics Standards (p1-01)

Symbology: Section 1.0 - Graphics Standards (p1-02)

Colors: Section 1.0 - Graphics Standards (p1-03)

Material: 3M Scotchlcal Graphic Film for Textured Surfaces IJ8624 (or approved equal)

Base Support: Section 2.0 - Sign Types

Graphics: "Detour" Stamp:
Section 1.0 - Graphics Standards (p1-03)

"Chevron" Stripping:
Section 1.0 - Graphics Standards (p1-03)

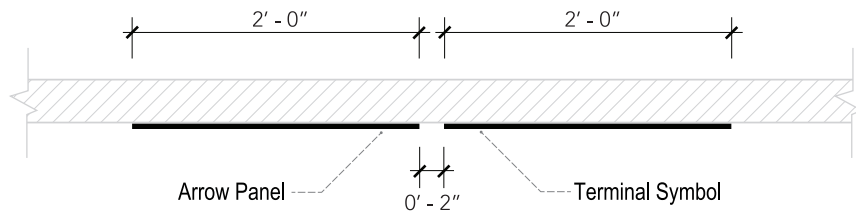
ATLNEXT logo:
Section 1.0 - Graphics Standards (p1-03)

QR Code:
Section 1.0 - Graphics Standards (p1-03)

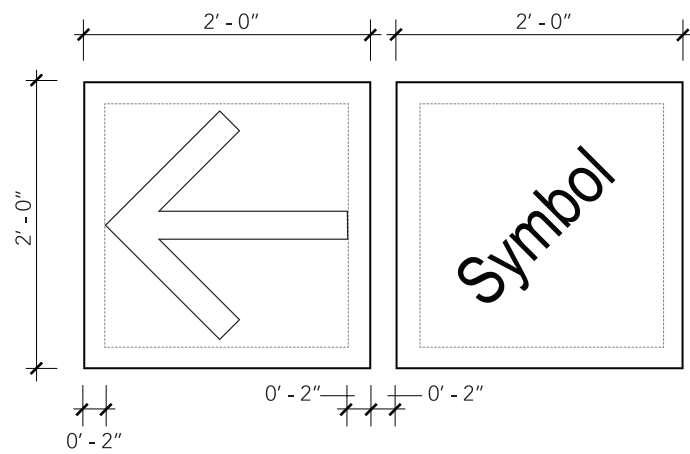
Mounting: Surface Application

Illuminations: N/A

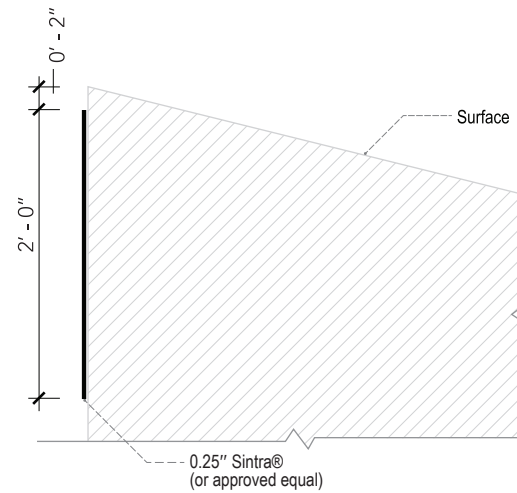
Application: Removable



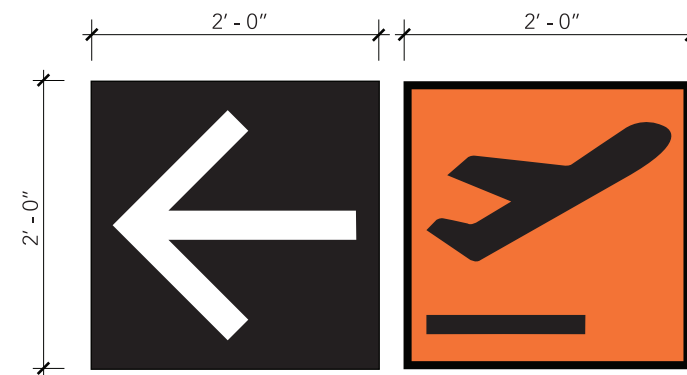
1 PLAN
SCALE: 3/4" = 1' - 0"



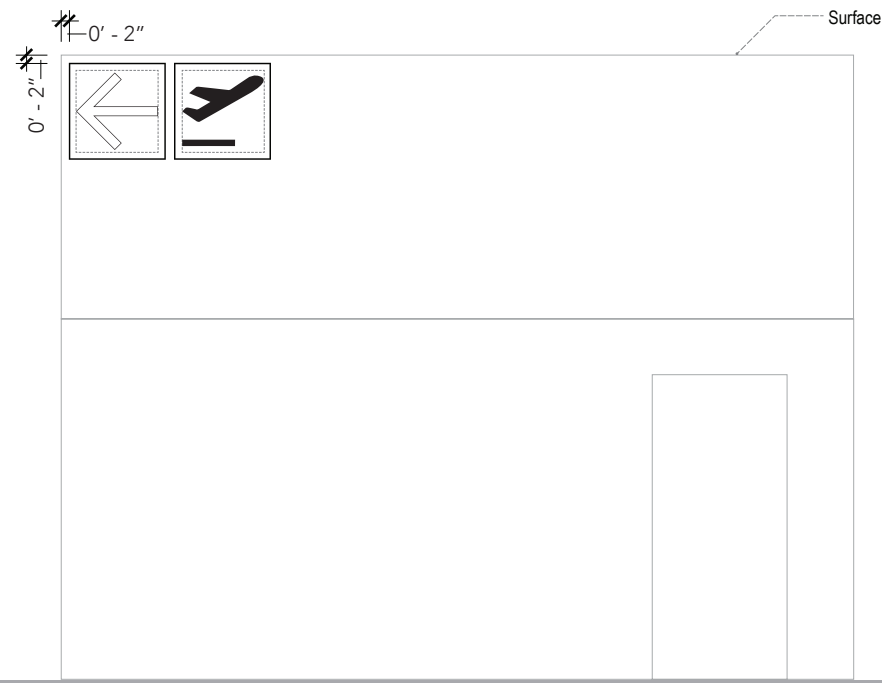
2 FRONT
SCALE: 3/4" = 1' - 0"



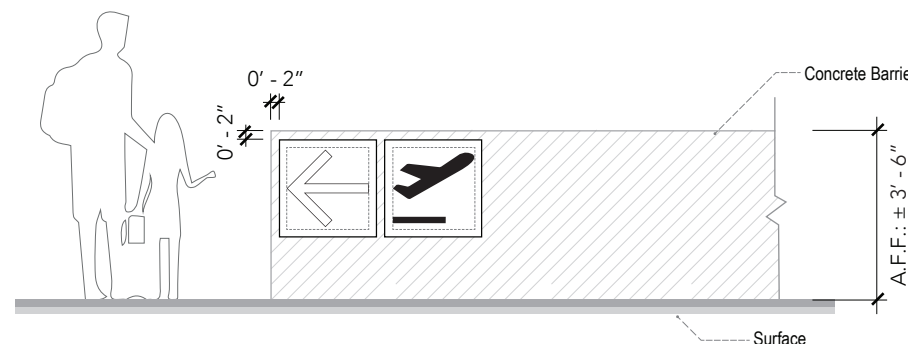
3 PROFILE
SCALE: 3/4" = 1' - 0"



4 FINISH
SCALE: 3/4" = 1' - 0"



5 ELEVATION A
SCALE: 1/4" = 1' - 0"



6 ELEVATION B
SCALE: 1/4" = 1' - 0"

Descriptions: Directional - Secondary Pedestrian

Dimensions: 2' - 0" H x 2' - 0" W

Location: North Parking: Level 4
South Parking: Level 4
ATL West Deck: Level 7
International Hourly: Level 5
International Park-Ride: Level 5

Typography: Section 1.0 - Graphics Standards (p1-01)

Symbology: Section 1.0 - Graphics Standards (p1-02)

Colors: Section 1.0 - Graphics Standards (p1-03)

Material: 0.25" Sintra® (or approved equal)

Base Support: Section 2.0 - Sign Types

Graphics: "Detour" Stamp:
Section 1.0 - Graphics Standards (p1-03)

"Chevron" Stripping:
Section 1.0 - Graphics Standards (p1-03)

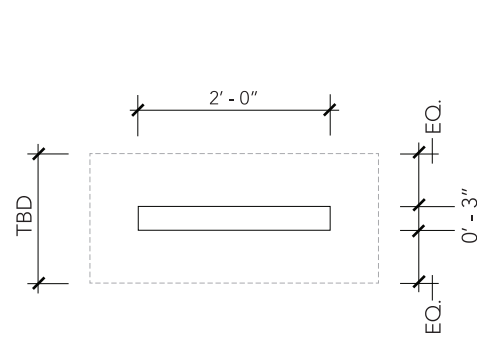
ATLNEXT logo:
Section 1.0 - Graphics Standards (p1-03)

QR Code:
Section 1.0 - Graphics Standards (p1-03)

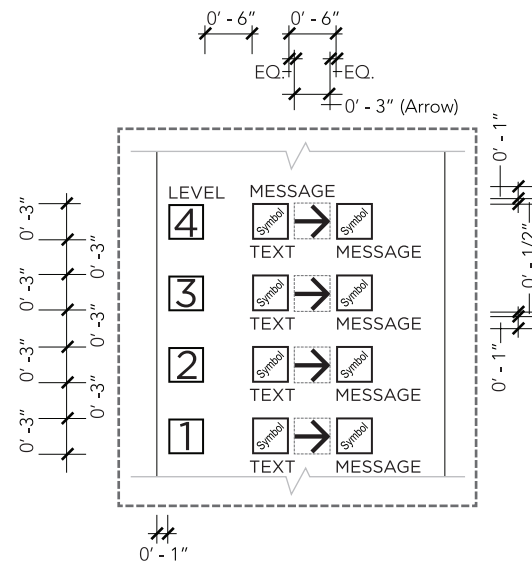
Mounting: Surface Application

Illuminations: N/A

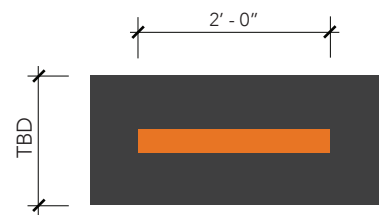
Application: Removable



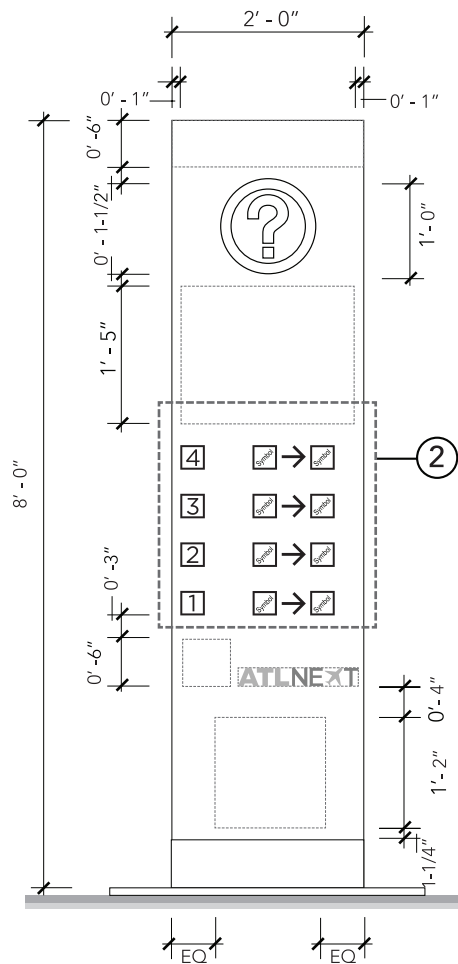
1 PLAN
SCALE: 1/2" = 1' - 0"



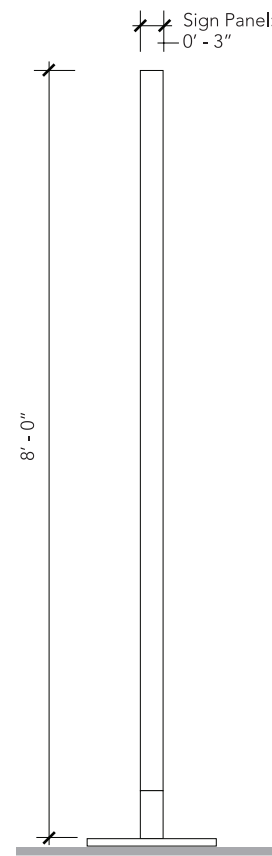
2 DETAIL
SCALE: 3/4" = 1' - 0"



3 FINISH - PLAN
SCALE: 1/2" = 1' - 0"



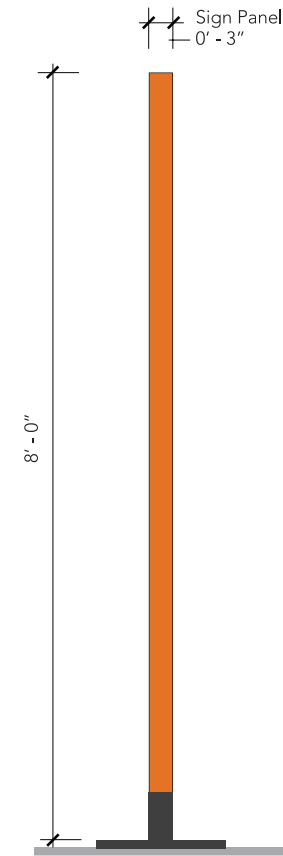
4 FRONT
SCALE: 1/2" = 1' - 0"



5 PROFILE
SCALE: 1/2" = 1' - 0"



6 FINISH - FRONT
SCALE: 1/2" = 1' - 0"



7 FINISH - PROFILE
SCALE: 1/2" = 1' - 0"

Descriptions: Informational - Primary
Pedestrian

Dimensions: 8' - 0" H x 2' - 0" W x 0' - 3" D

Location: **North Parking:** Levels 1, 2, 3, 4
South Parking: Levels 1, 2, 3, 4
ATL West Deck: Levels 1, 2, 3, 4, 5, 6, 7
International Hourly: Levels 1, 2, 3, 4, 5
International Park-Ride: Levels 1, 2, 3, 4, 5

Typography: Section 1.0 - Graphics Standards (p1-01)

Symbology: Section 1.0 - Graphics Standards (p1-02)

Colors: Section 1.0 - Graphics Standards (p1-03)

Material: 0.25" Sintra® (or approved equal)

Base Support: Section 2.0 - Sign Types

Graphics: "Detour" Stamp:
Section 1.0 - Graphics Standards (p1-03)

"Chevron" Stripping:
Section 1.0 - Graphics Standards (p1-03)

ATLNEXT logo:
Section 1.0 - Graphics Standards (p1-03)

QR Code:
Section 1.0 - Graphics Standards (p1-03)

Mounting: Freestanding

Illuminations: N/A

Application: Pending



 Hartsfield-Jackson
Atlanta International Airport.

Prepared by: **ATLNEXT** | 